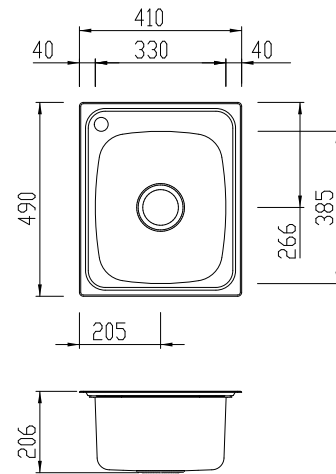


440 Martini

Oliveri®



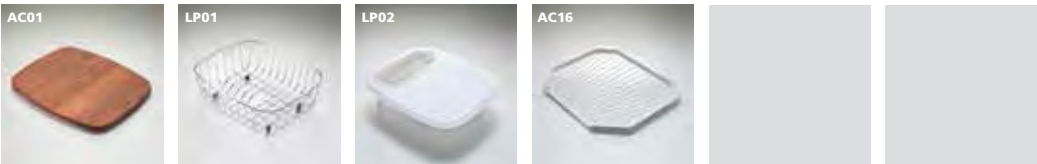
INCLUDED ACCESSORIES



RECOMMENDED TAPWARE



OPTIONAL ACCESSORIES



SPECIFICATIONS

Description

Singl bowl inset sink

Sink Size

410W x 490H

Deep Bowl

330W x 385H x 190D / 21L

Construction

2 piece, bowls & drainer seam welded

Material

304 grade, 18/10 polished stainless steel (0.8mm thick)

Installation

Inset recommended.

Fixings

Adjustable clips and sealing foam supplied

Cut Out Template

390 x 470 x 10mm radius

Min Cabinet Size

500mm

Tap holes

Available 0 - 2 tap hole (specify positioning when ordering)

Waste fittings

1 x 90mm basket waste included

Overflow

Available, conditions apply

Carton Size

500 x 420 x 220mm

Weight

4.0kg

Warranty

Lifetime manufacturer's warranty (refer to oliverisinks.com)

For more information call **1300 13 7465** or visit **www.oliverisinks.com**

