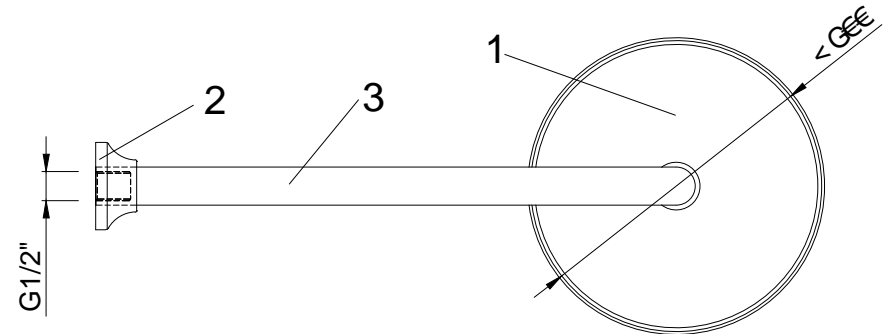
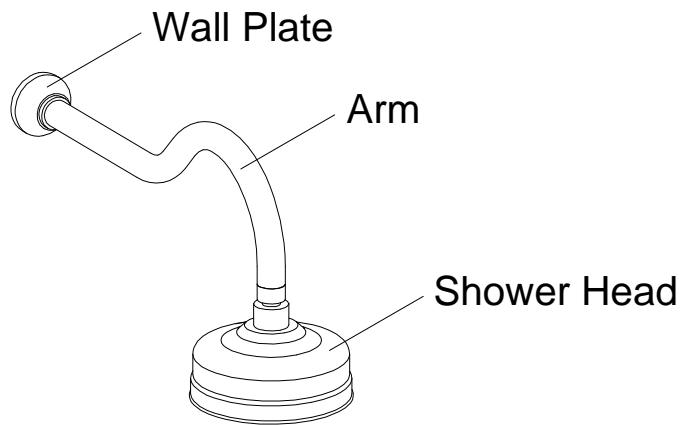
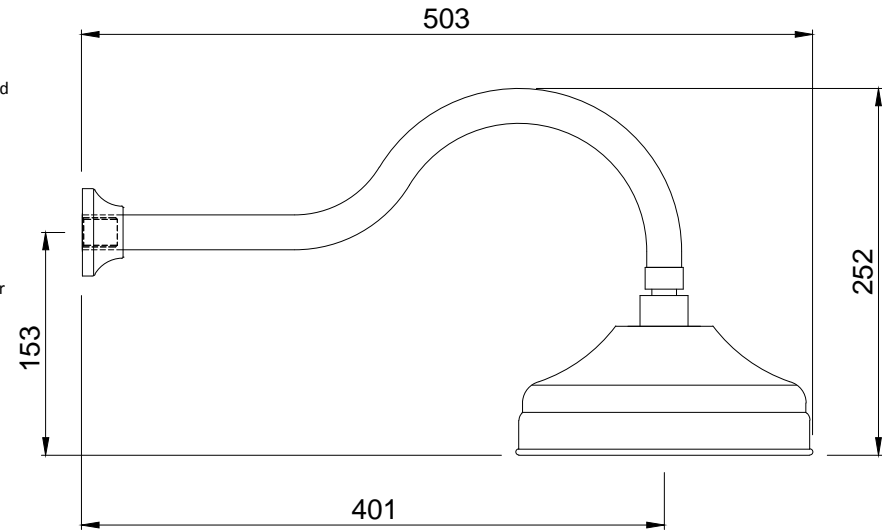


**Installation Guideline:**

1. Apply thread tap or other approved sealant to the wall spigot/nipple. Insert the wall plate over the arm and then install the arm onto the spigot, ensuring it is tight, flush with the wall, and that the arm outlet is perpendicular.
2. Slide the wall plate back against the wall.
3. Apply thread tape or other approved sealant to the arm outlet.
4. Fit the filter/washer and flow control into the shower head according to the diagram. Note: The flow control should be inserted with the protruding side into the showerhead.
5. Fit the shower head onto the arm and ensure it is firmly tightened to prevent leaks.
6. The shower head can be adjusted by swivelling into the desired position.



**Parts List**

Item	Code	Description	QTY
1	RSB07	Rain Shower, Brass , Old Fashion, Dia=200mm	1
2	WPB05	Brass Taper Wall Plate	1
3	SAB05	Brass Round Arm 400mm	1



Product Code

**PRSH200(RAB10)**

Date

27 Apr 2015

Address

Abey Australia Pty Ltd  
57-81 Abey Road, Melton, VIC 3337  
www.abey.com.au