

paco jaansōn

DAYTONA

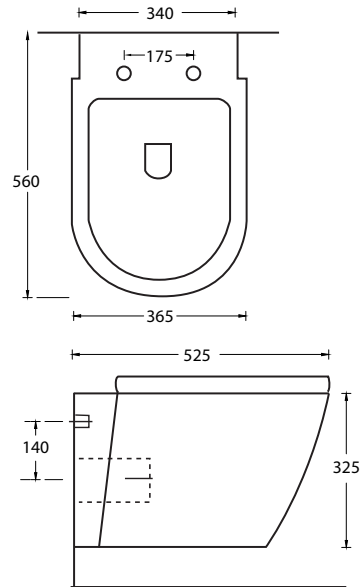
Standard Wall Hung Pan White

Product Code: Be-2380



Dimensions

560mm (w) x 365mm (d) x 345mm (h)



DESCRIPTION

When minimalism is a must, Daytona is always first over the line. Its streamlined pan is perfect for the modern pace of everyday living.

Each material has its own language, the final result determined by the connection between form and concept. Quality and comfort.

Elegant, spotless, and graceful, Daytona's shape is as pleasing to look at, as it is easy to clean. The pan and adjacent space are contained within a design marked by soft curves.

Queki Ben

PRICING STRUCTURE

Retail Pricing:

Gloss White

\$320.00 gst inclusive

Features

Suitable with Concealed Cistern

P-Trap

4 Star - Wels 4.5/3 Litres

Soft Close Seat

Made from Vitreous China



PACO JAANSON BATHROOM INNOVATIONS

Copyright © 2015 All rights reserved

Telephone : 1800 006 260

Email - info@pacojaanson.com.au

www.pacojaanson.com.au