

Product data sheet (PDF)

Focus E²

Single Lever Basin Mixer DN15

Description

- ceramic cartridge
- Boltic lever lock
- adjustable temperature restriction
- flow limiter 5 l/min.
- QuickClean aerator
- pop-up waste set G 1 1/4
- suitable for continuous flow water heaters
- P-IX 18982/IA, DVGW NW-6506BU0221

Surfaces

Art. no.

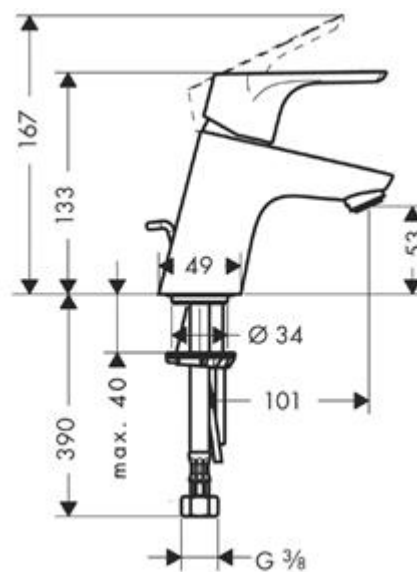
chrome

31730000

Product image



Scale drawing



15 YEAR WARRANTY

WELS RATING 4 STAR/ 7 LITRES PER MINUTE