

Focus

Single lever basin mixer 100 without waste set

Surfaces: **chrome** Art. no. : **31517000**



Description

product features

- ComfortZone 100
- flow rate: 5 l/min
- ceramic cartridge
- temperature limitation adjustable
- without waste set
- suitable for continuous flow water heaters
- connection dimension: DN15

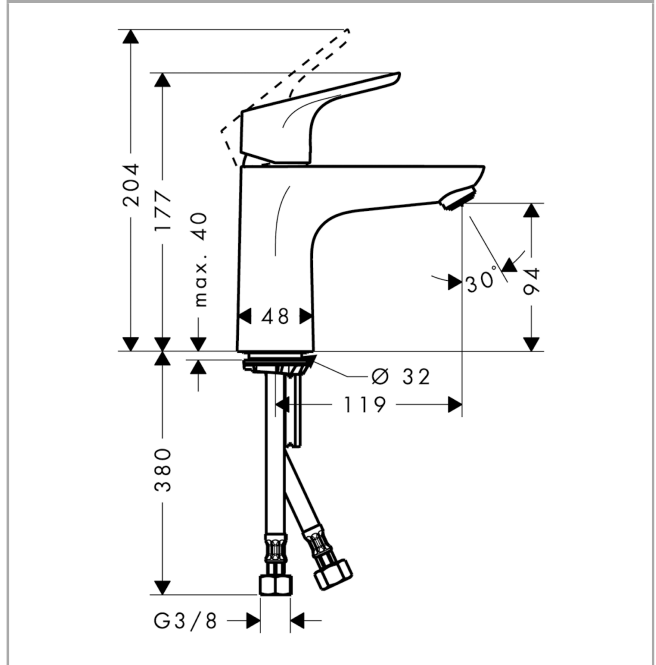
Technology



Product image



Scale drawing



Flowchart

