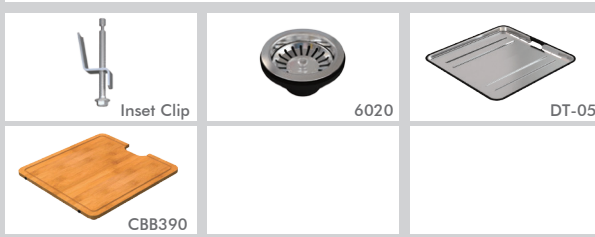




Model Code: LG200

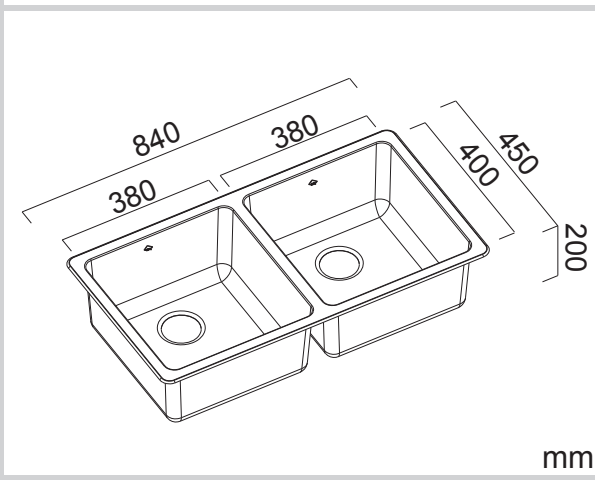
### Included Accessories



### Optional Accessories



### Dimensions



### Specifications

Description	Double bowls, inset sink
Overall Sink Size	840mm x 450mm x 200mm deep
Bowl Dimensions	380mm x 400mm x 200mm deep 380mm x 400mm x 200mm deep
Drainer Length	N/A
Technic	Pressed

### Installation

Fixings	Inset clips supplied
Template	Supplied
Min Cabinet Size	860mm
Waste Holes	2 x 90mm round Compatible with waste disposal
Sealing Strip	Factory fitted

### Plumbing

Waste Fittings	2 x (90mm x 2") basket wastes included
Overflow	Available, conditions apply

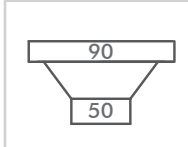
### Packaging

Carton Type	EPS protection & individual carton
Gross Weight	12.5Kg
Carton Size	900mm x 300mm x 520mm
Pack QTY	1

#### SURFACE FINISH



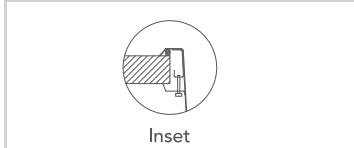
#### WASTE KIT



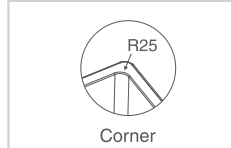
#### MATERIAL



#### INSTALLATION OPTIONS



#### PROFILE



Abey are Australia's leaders in sinkware, designing and manufacturing to the world's highest quality specifications as well as sourcing and bringing you Europe's very best, leading edge designs – practical, affordable, inspirational, stylish, timeless or cutting edge. When you buy an Abey stainless steel sink you receive the highest quality and 25 year warranty. Abey and the manufacturer are continually seeking ways to improve the design specifications, aesthetic and production techniques of the products. As a result, alterations to the specifications and dimensions of the products and designs occur continually.