



Villeroy & Boch

1748

## O.novo Back-to-Wall S-Trap Toilet Suite – 4.5/3L

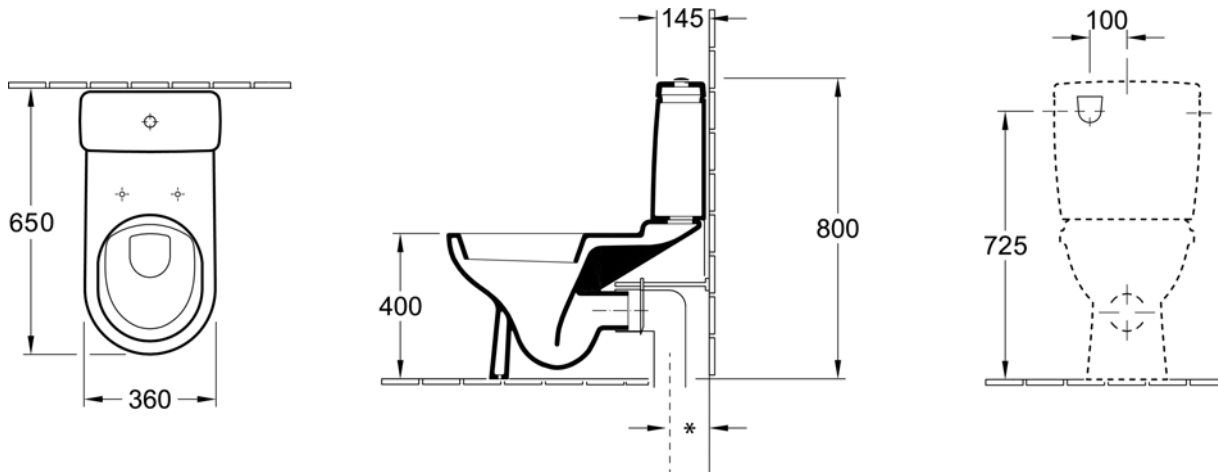


SOFT  CLOSE

 ceramicplus  
Villeroy & Boch






### TECHNICAL SPECIFICATIONS



**Waste Set-out:** Supplied standard with 8712 Vario Bend to suit adjustment range – 70-160mm (\*Recommended set out 140mm)  
(S trap set out may be extended by 70mm by using a 8702 vario bend with a P trap suite, pan collar will need to be installed flush with the finished floor or a 8722 adaptor can be used if going into DWV pipe)

**Water Entry Point:** Rear water inlet requires ½" BSP Male thread extending 30mm past the finished wall

PRODUCT NO: **56580101S4DB**, O.novo BTW S-Trap Suite with  SOFT CLOSE  
PRODUCT NO: **565801R1S4DB**, O.novo BTW S-Trap Suite with  ceramicplus &  SOFT CLOSE

4.5/3L – WELS 4 STAR RATED SUITES  
(Includes Toilet Seat)