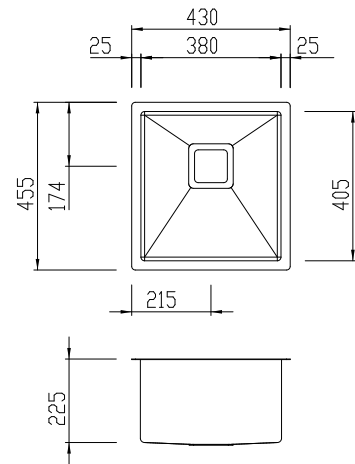


PR1130U

Professional Series

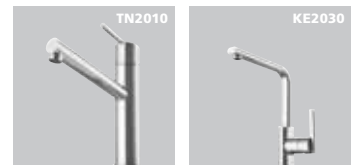
Oliveri®



INCLUDED ACCESSORIES



RECOMMENDED TAPWARE



OPTIONAL ACCESSORIES



International collection™

Designed and engineered to our specifications and quality standards. Sourced from our international supplier.

SPECIFICATIONS

Description

Single bowl undermount sink

Sink Size

430W x 455H

3/4 Bowl

380W x 405H x 225D / 35L

Construction	Fabricated with 10mm radius corners, Softtone™ and soundproofing.
Material	304 grade, 18/10 brushed stainless steel (1.5mm thick)
Installation	Undermount recommended.
Fixings	Undermount clips supplied
Cut Out Template	oliverisinks.com
Min Cabinet Size	500mm
Tap holes	n/a
Waste fittings	1 x 90mm square basket waste included
Overflow	Not available
Carton Size	520 x 500 x 290mm
Weight	8.6kg
Warranty	Lifetime manufacturer's warranty (refer to oliverisinks.com)

For more information call **1300 13 7465** or visit **www.oliverisinks.com**

