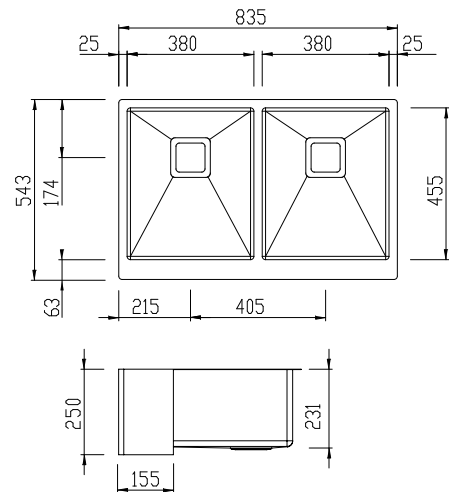


PR1263U

Professional Butler Series

Oliveri®



INCLUDED ACCESSORIES



RECOMMENDED TAPWARE



OPTIONAL ACCESSORIES



SPECIFICATIONS

Description

Double bowl butler sink

Sink Size

835W x 543H

Main Bowl

380W x 455H x 225D / 39L

Construction	Fabricated with 10mm radius corners, Softtone® and soundproofing.
Material	304 grade, 18/10 stainless steel (1.5mm thick)
Installation	Undermount recommended
Fixings	Undermount clips supplied only
Cut Out Template	oliverisinks.com
Min Cabinet Size	900mm
Tap holes	N/A
Waste fittings	2 x 90mm square basket waste included
Overflow	Not available
Carton Size	920 x 575 x 290 mm
Weight	21kg
Warranty	Lifetime manufacturer's warranty (refer to oliverisinks.com)

For more information call **1300 13 7465** or visit **www.oliverisinks.com**

