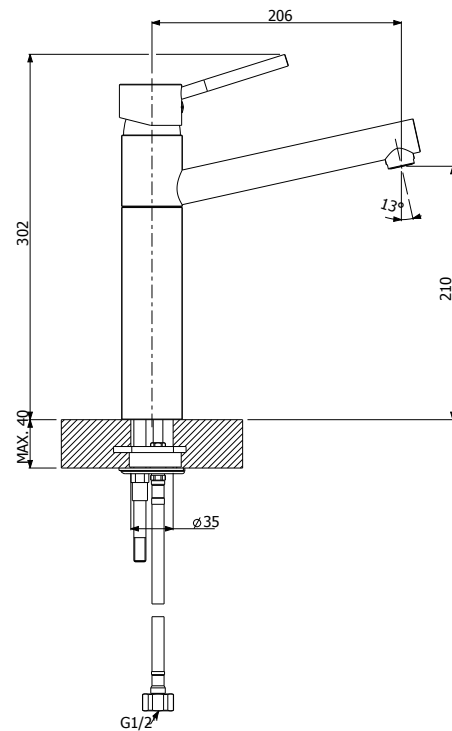


# PT2010

## Pepe

Oliveri®



### RECOMMENDED SINK RANGE



Oliveri  
**15 YEAR WARRANTY**

### SPECIFICATIONS

#### Description

Pepe swivel mixer

#### Mixer Height

302mm

#### WELS Rating

4 star water efficiency  
7.5 L per minute

#### Available Colours



Chrome

Brushed

Santorini

#### Cartridge Size

35mm

#### Cartridge Type

Ceramic disc

#### Finish

Chrome (PT2010C) or Brushed (PT2010B)  
Santorini Granite Black (PT2010C-ST-BL)

#### Spout height

210mm

#### Maximum Operating Pressure

600kpa

#### Origin

Made in Italy

#### Carton Size

370 x 270 x 60 mm

#### Weight

2.0 kg

#### Installation Note

Recommended for solid surface installation

#### Warranty

15 year warranty\* (refer to oliverisinks.com)

oliveri.com.au 1300 137 465



\*15 year warranty consists of 5 year warranty only (parts and labour), plus an additional 10 year parts only.  
© Registered trademark of Tasman Sinkware. Under its policy of ongoing product development Tasman Sinkware may from time to time change product specification without notice.  
All dimensions given are approximate and should be checked prior to installation. See Oliveri installation instructions for installation details.