

Product data sheet (PDF)

PuraVida

Single Lever Basin Mixer 110, DN15

Description

- push-open waste set G 1 1/4
- ComfortZone 110
- adjustable spray former, with QuickClean
- joystick cartridge
- flow limiter 5 l/min
- connecting hoses G 3/8
- suitable for continuous flow water heaters
- P-IX 19313/IO
- DVGW NW-6506CL0393

Surfaces

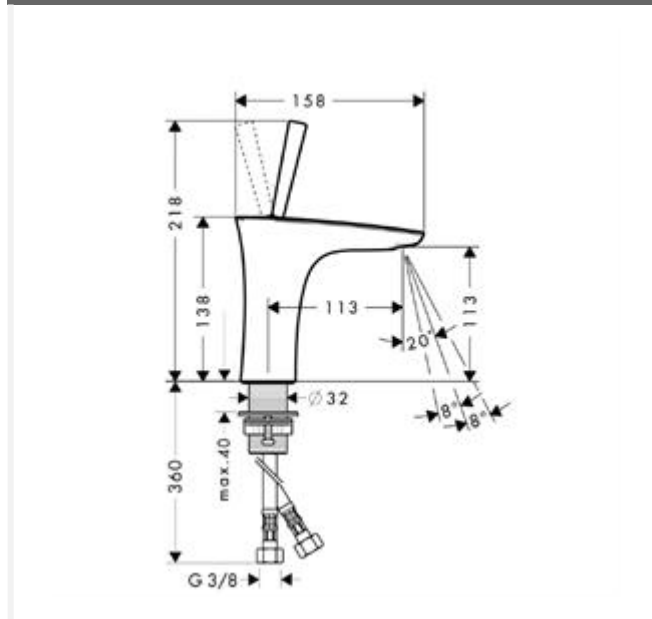
Art. no.

chrome	15070000
white/chrome	15070400

Product image



Scale drawing



15 YEAR WARRANTY

WELS RATING PENDING