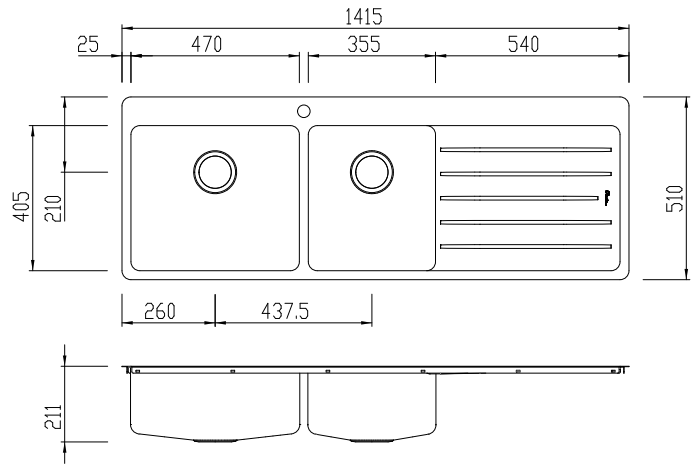


SN1011

Sonetto

Oliveri®

LEFT HAND BOWL SINK



INCLUDED ACCESSORIES

AC14



ACP101

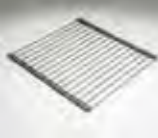


OPTIONAL ACCESSORIES

ACP103



ACP105



AC16



AC29



RECOMMENDED TAPWARE

KE2030



SS913



International collection™

Designed and engineered to our specifications and quality standards. Sourced from our international supplier.

SPECIFICATIONS

Description

1 & 3/4 bowl inset sink with drainer

Sink Size

1415W x 510H

Large Bowl

470W x 405H x 205D / 39L

3/4 Bowl

355W x 405H x 205D / 30L

Construction

Fabricated with 25mm radius corners, Softtone™ and soundproofing.

Material

304 grade, 18/10 brushed stainless steel (1.2mm thick)

Installation

Inset recommended.

Fixings

Topmount clips supplied

Cut Out Template

1399 x 494 x 10mm radius

Min Cabinet Size

900mm

Tap holes

Available 1 tap hole only

Waste fittings

2 x 90mm basket wastes included

Overflow

Not available

Carton Size

1470 x 560 x 255mm

Weight

22.0kg

Warranty

Lifetime manufacturer's warranty (refer to oliverisinks.com)

For more information call **1300 13 7465** or visit www.oliverisinks.com

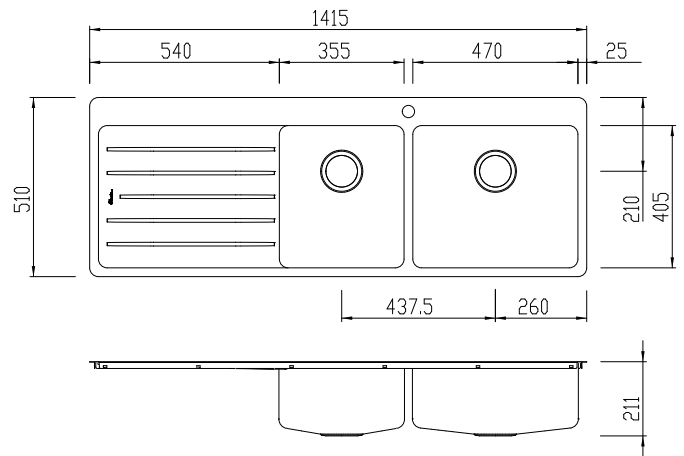


SN1012

Sonetto

Oliveri®

RIGHT HAND BOWL SINK

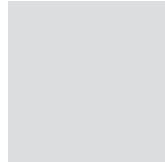
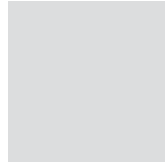
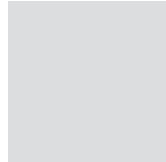
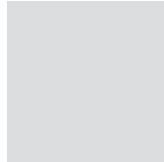


INCLUDED ACCESSORIES

AC14



ACP101



RECOMMENDED TAPWARE

KE2030



SS913

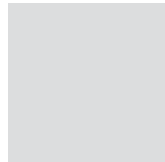
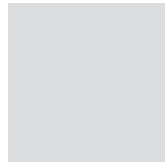
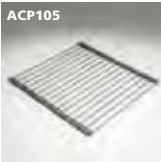


OPTIONAL ACCESSORIES

ACP103



ACP105



International collection™

Designed and engineered to our specifications and quality standards. Sourced from our international supplier.

SPECIFICATIONS

Description

1 & 3/4 bowl inset sink with drainer

Sink Size

1415W x 510H

Large Bowl

470W x 405H x 205D / 39L

3/4 Bowl

355W x 405H x 205D / 30L

Construction

Fabricated with 25mm radius corners, Softtone™ and soundproofing.

Material

304 grade, 18/10 brushed stainless steel (1.2mm thick)

Installation

Inset recommended.

Fixings

Topmount clips supplied

Cut Out Template

1399 x 494 x 10mm radius

Min Cabinet Size

900mm

Tap holes

Available 1 tap hole only

Waste fittings

2 x 90mm basket wastes included

Overflow

Not available

Carton Size

1470 x 560 x 255mm

Weight

22.0kg

Warranty

Lifetime manufacturer's warranty (refer to oliverisinks.com)

For more information call **1300 13 7465** or visit **www.oliverisinks.com**

