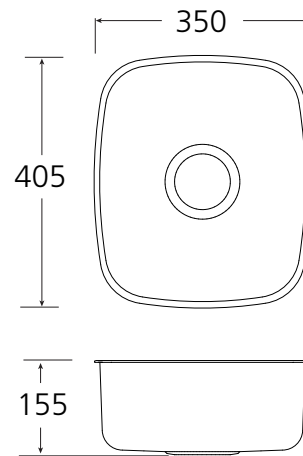


# EE30U

Tasman Endeavour

Oliveri®



## INCLUDED ACCESSORIES



## RECOMMENDED TAPWARE



## OPTIONAL ACCESSORIES



## SPECIFICATIONS

### Description

Single bowl undermount sink

### Sink Size

350W x 405H

### Main Bowl

330W x 385H x 155D / 17L

**Construction** 2 piece, bowls & drainer seam welded

**Material** 304 grade, 18/10 polished stainless steel (0.8mm thick)

**Installation** Undermount only

**Fixings** n/a

**Cut Out Template** oliverisinks.com

**Min Cabinet Size** 500mm

**Tap holes** n/a

**Waste fittings** 1 x 90mm basket waste included

**Overflow** Special order option available

**Carton Size** 500 x 420 x 210mm

**Weight** 4.0kg

**Warranty** Lifetime manufacturer's warranty (refer to oliverisinks.com)

For more information call **1300 13 7465** or visit **www.oliverisinks.com**

