



# PHOENIX

## SPECIFICATIONS

### VIVID

## VESSEL MIXER WITH 165MM STRAIGHT OUTLET

PRODUCT CODE: V798 CHR  
 FINISH: CHROME  
 WELS: 5 STAR - 6.0 LT/MIN

#### INFORMATION:

MATERIAL: BRASS  
 TEMPERATURE RATING: MIN 1° - MAX 75°  
 PRESSURE RATING: MIN 150 kPa - MAX 500 kPa

#### CONSUMER UNIT:

SIZE: L 275MM x W 320MM x H 75MM  
 GROSS WEIGHT: 2 KG  
 BARCODE EAN-13: 9 320594 014 643

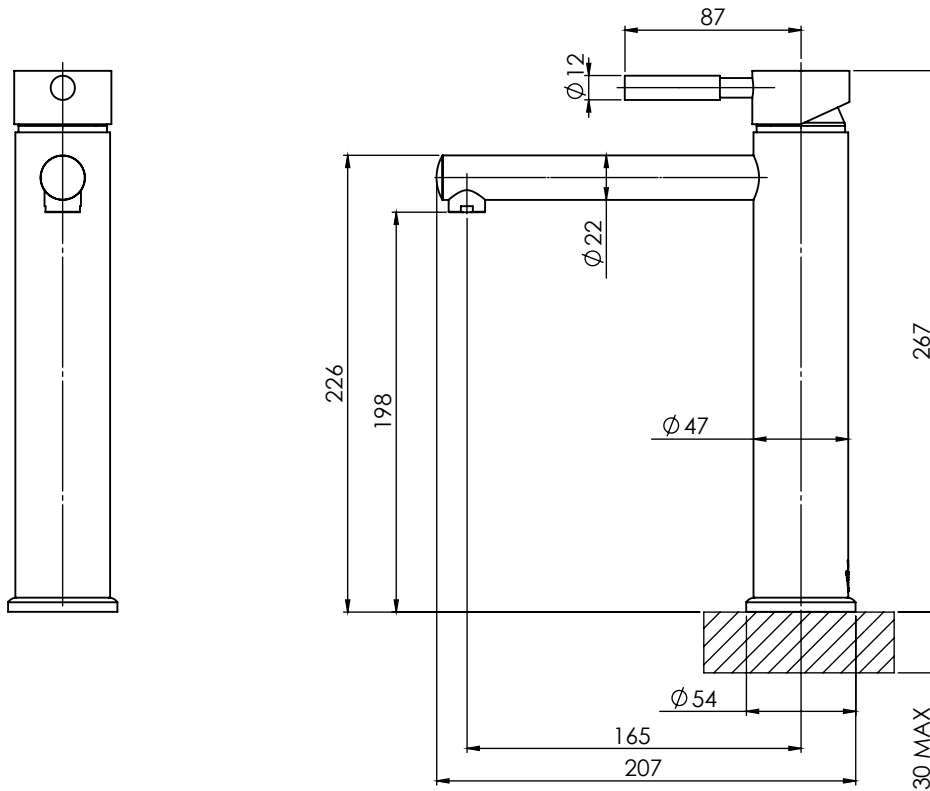


AVAILABLE IN:



CHROME

FOR MORE INFORMATION VISIT [www.phoenixtapware.com](http://www.phoenixtapware.com)



PLEASE [CLICK HERE TO VIEW FULL WARRANTY](#)

While we aim to ensure the specifications shown are correct at time of printing, Phoenix Tapware reserves the right to make modifications without prior notice. Always use the physical product measurements for mark-ups and roughing-in as the line drawing shown may differ from the actual product over time. All measurements are shown in millimetres.

[www.phoenixtapware.com.au](http://www.phoenixtapware.com.au)  
03 9780 4200



# PHOENIX

## SPECIFICATIONS

### VIVID

## VESSEL MIXER WITH 165MM STRAIGHT OUTLET

PRODUCT CODE:

V798 CHR

FINISH:

CHROME

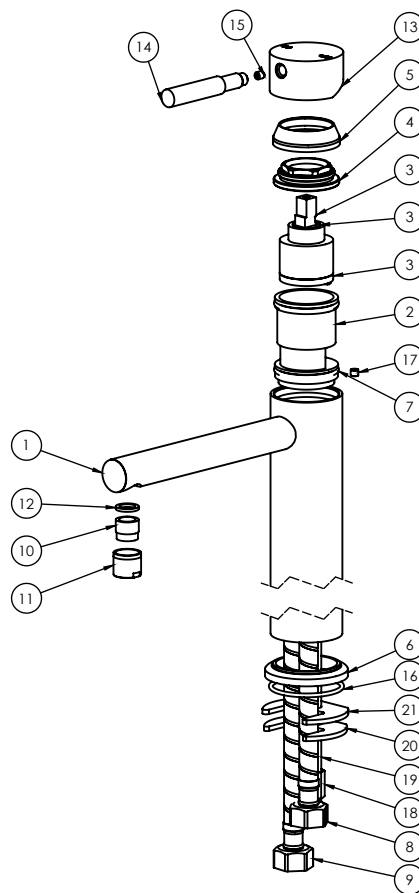
WELS:

5 STAR - 6.0 LT/MIN



### PARTS LIST

1. MIXER BODY
2. CARTRIDGE SEAT
3. 35MM CARTRIDGE
4. CARTRIDGE SLEEVE
5. MIXER DOME
6. DRESS PLATE
7. O-RING 37X2.7MM
8. FLEXIBLE HOSE 600MM COLD
9. FLEXIBLE HOSE 600MM HOT
10. AERATOR
11. AERATOR RETAINER
12. AERATOR GASKET
13. MIXER HANDLE
14. PIN LEVER
15. GRUB SCREW M5X6MM
16. O-RING 44X2.5MM
17. RETAINING PIN
18. M8 NUT
19. M8 THREADED ROD
20. FIXING PLATE
21. RUBBER FIXING PLATE



### MAINTENANCE AND CARE:

- All surfaces should be cleaned with mild liquid detergent or soap and water.
- Do not use cream cleaners or citrus based cleaning products, as they are abrasive.
- Use of unsuitable cleaning agents may damage the surface. Any damage caused in this way will not be covered by warranty.

### PACKAGING INCLUDES

- 1 x Vessel Mixer with 165mm Straight Outlet
- 1 x Installation kit
- 1 x 450mm braided flexible cold hose
- 1 x 450mm braided flexible hot hose
- 1 x Installation instructions
- 1 x Warranty card

PLEASE [CLICK HERE](#) TO VIEW FULL WARRANTY

While we aim to ensure the specifications shown are correct at time of printing, Phoenix Tapware reserves the right to make modifications without prior notice. Always use the physical product measurements for mark-ups and roughing-in as the line drawing shown may differ from the actual product over time. All measurements are shown in millimetres.

[www.phoenixtapware.com.au](http://www.phoenixtapware.com.au)  
03 9780 4200