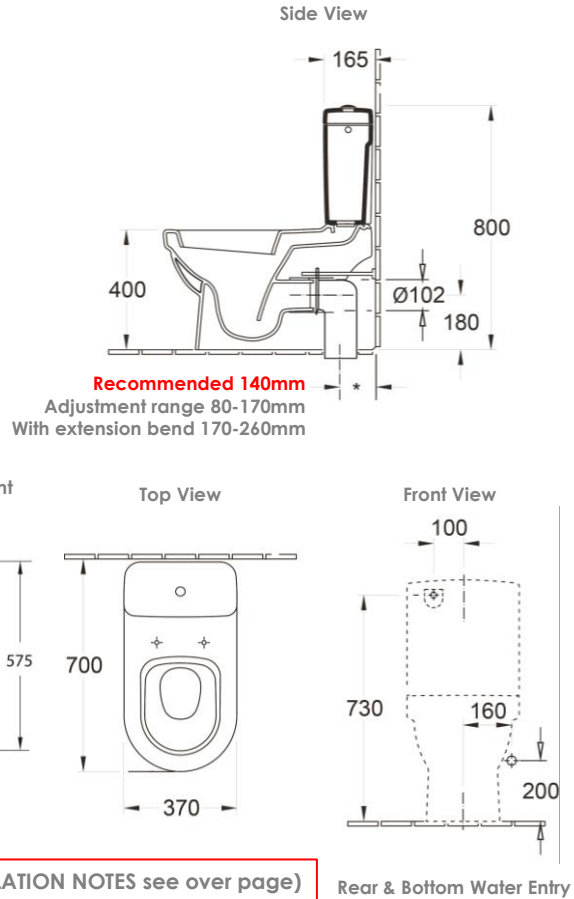


# ARCHITECTURA U BTW TOILET SUITE WELS 4 STAR

## Product Image



## Technical Specifications



(For detailed INSTALLATION NOTES see over page)

## Code/Description

Architectura U BTW Toilet Suite with Soft Closing Seat – 4 Star

- |                       |                                   |
|-----------------------|-----------------------------------|
| <b>54830101SCBEDB</b> | S-Trap, Bottom Entry              |
| <b>548301R1SCBEDB</b> | S-Trap, Bottom Entry, CeramicPlus |
| <b>54830101SCDB</b>   | S-Trap, Rear Entry                |
| <b>548301R1SCDB</b>   | S-Trap, Rear Entry, CeramicPlus   |
| <b>54831001SCBECB</b> | P-Trap, Bottom Entry              |
| <b>548310R1SCBECB</b> | P-Trap, Bottom Entry, CeramicPlus |
| <b>54831001SCCB</b>   | P-Trap, Rear Entry                |
| <b>548310R1SCCB</b>   | P-Trap, Rear Entry, CeramicPlus   |

## Additional Information

- 5 Year Warranty \*Conditions Apply
- Also available WELS 3 Star (see Code 5683)
- Available Rear or Bottom Water Entry
- Available in CeramicPlus easy clean finish



4.5/3L WELS 4 Star





# ARCHITECTURA U BTW TOILET SUITE WELS 4 STAR

## Installation Notes

**Water Entry:** Rear water entry requires ½" BSP male thread extending 10mm past the finished wall

**S-Trap Set-out\*:** (See table below)

S-Trap Set-out options	Distance from finished wall to centre of soil pipe	Vario Bend required		Installation Notes
<b>Recommended</b>	<b>140mm</b>	50015P	Supplied standard with S-trap Suites	To be cut to required length on-site
Standard Adjustment Range	80-170mm	50015P	Supplied standard with S-trap Suites	To be cut to required length on-site
With extension bend	170-260mm	8702	Order separately with P-Trap Suite	To be cut to required length on-site - Requires installation into DWV pipe (adaptor supplied) or into a pan collar installed flush with the finished floor

**Flushing options:** 4.5/3L toilets can be easily converted to 6/3L on-site where it is approved to do so; one-click conversion instructions are included inside the cistern.

Alternatively WELS 3 star/6-3L suites available to order – refer code 5683.

