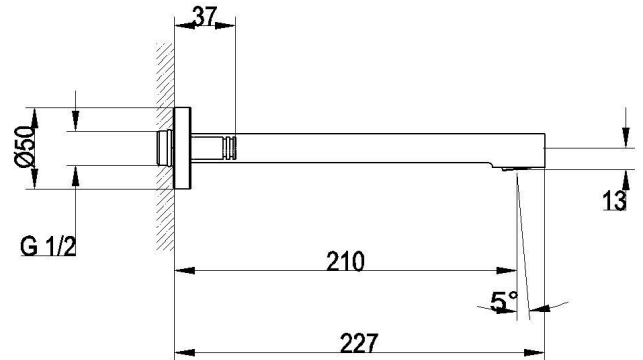




ARCHITECTURA BATH SPOUT

Product Image	Technical Specification
---------------	-------------------------



IMPORTANT INSTALLATION NOTES

- SUPPLIED WITH FEMALE IRON SPIGOT
- 'ROUGH-IN' REQUIRES 1/2" BSP MALE THREAD, CUT FLUSH WITH FINISHED WALL
- USE LIQUID THREAD SEAL
- (SEE DETAILED INSTALLATION INSTRUCTIONS, AVAILABLE ON ARGENT WEBSITE, PRIOR TO INSTALLATION)

Description	
Architectura Bath Spout	
TVT10350061B	Chrome

Additional Information
<ul style="list-style-type: none"> Removable bayonet thread connector

