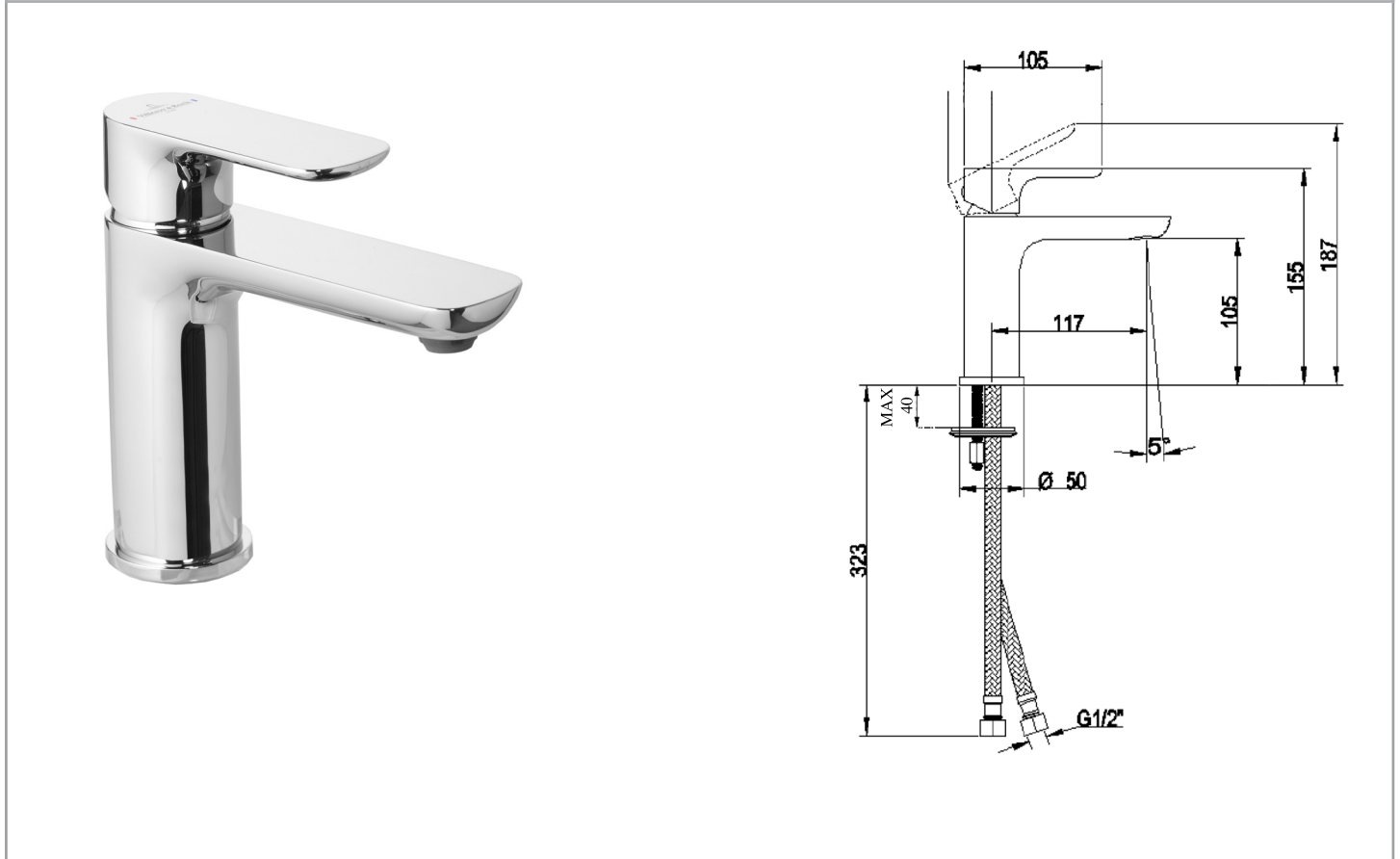





# O.NOVO BASIN MIXER

Product Image	Technical Specification
---------------	-------------------------



Description
<p>O.Novo Basin Mixer WELS 5 Star / 5 Lpm</p> <p><b>TVW10410350061</b> Chrome</p>

Additional Information
<ul style="list-style-type: none"> <li>35mm Ceramic Cartridge</li> </ul>  <p style="font-size: small;">In accordance with AS/NZS 6400 Licence No. 0008 Argent Australia</p>

