
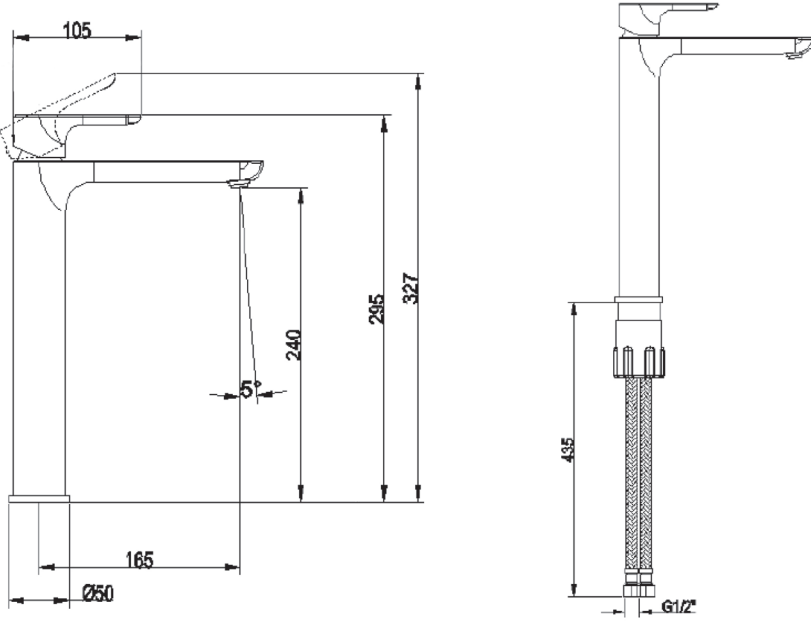




O.NOVO VESSEL BASIN MIXER

Product Image	Technical Specification
	

Description
<p>O.Novo Vessel Basin Mixer WELS 5 Star / 5 Lpm</p> <p>TVW10410650061 Chrome</p>

Additional Information
<ul style="list-style-type: none"> • 35mm Ceramic Cartridge 