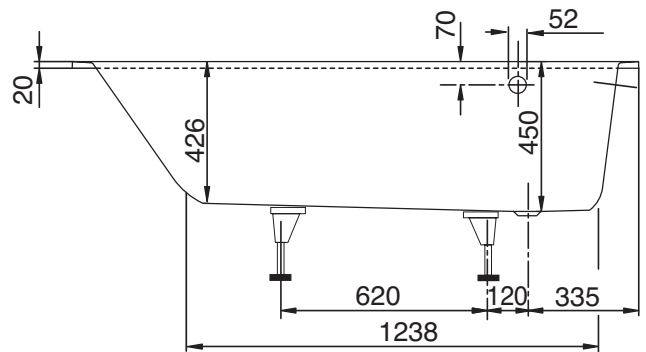
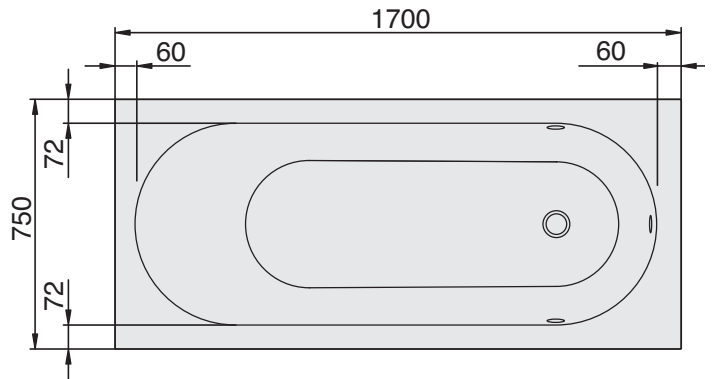
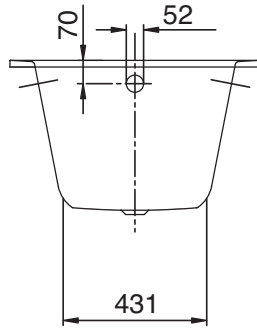


# OBERON 1700 BATH

**Product Image** **Technical Specification**



**Description**

OBERON 1700 BATH

**BQ1700BE2VB** 1700x750mm  
**BQ1700BE2WFB** 1700x750mm with Bath Filler

OPTIONAL TILING LIPS

**994613** 900mm  
**994612** 1800mm

**Additional Information**

- Includes Chrome Waste / Overflow Combination
- Bath is pre-drilled for end overflow / bath filler location
- Adjustable Bath Feet supplied standard
- Available with optional integrated Bath Filler
- For Bath Filler Option, a mixed water supply rough-in point needs to be close to the bath filler/ overflow location and be at least 250mm below the top of the bath
- Made from Quaryl®
- 10 Year Warranty \*Conditions Apply

