

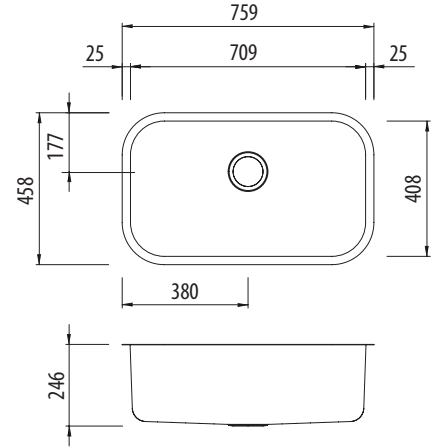
Titan

Proudly Aussie made

All dimensions in mm

TN890U

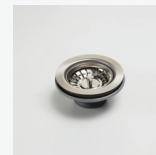
Titan Bowl Undermount Sink



Specifications /

Sink size	759W x 458H mm
Bowl size	Titan Bowl 710W x 405H x 255D / 65L
Construction	Single piece (sound pads applied)
Material	304 grade, 18/10 polished stainless steel (0.8 mm thick)
Installation	Undermount
Fixings	Available on request
Min cabinet size	800 mm
Tap holes	N/A
Waste fittings	1 x 90 mm basket waste included
Overflow	Special order option
Carton size	902 x 627 x 277 mm
Weight	11 kg
Warranty	Lifetime manufacturer's warranty (refer to oliveri.com.au)
Maintenance and care instructions	All surfaces should be cleaned with mild liquid detergent or soap and water. To maintain the shine on your Oliveri stainless steel sink, we recommended the use of any of the easy to obtain, non-abrasive stainless steel cleaners or metal polishes.

Included accessories /



AC14
Basket Waste