
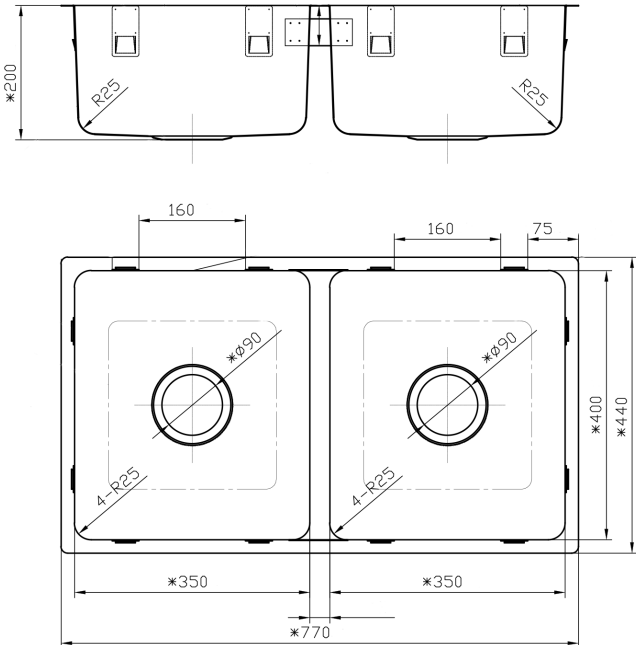




VERVE DOUBLE MAIN BOWLS

Product Image	Technical Specification
	
<p style="text-align: center;">INSTALLATION DISCLAIMER</p> <p style="text-align: center;">ALL TEMPLATES, LINE DRAWINGS & ELECTRONIC FILES ARE SUPPLIED AS A GUIDE ONLY. PLEASE CROSS CHECK WITH ACTUAL BOWL BEFORE COMMENCING ANY CUTOUT AND ENSURE RADII ARE SUITABLE TO BENCHTOP MATERIAL TOLERANCES. ARGENT ACCEPTS NO RESPONSIBILITY FOR CUTOUT ERRORS.</p> <p style="text-align: center;">www.argentaust.com.au</p>	

Description	Additional Information
<p>Verve Double Main Bowls</p> <p>KS1077230 Double Main</p> <p>Accessories to suit</p> <p>FB100 Food Board DR002 Dish Rack RM108 Roll Mat 300 x 400</p>	<ul style="list-style-type: none"> • Low Profile Edge • 304 Stainless Steel Soft Silk Matte Polish • Topmount & Undermount • 28/28 Litre Capacity • Suits 800 Carcass or larger

