

Carboni II Inset

Vitreous China Inset Vanity Basin

Basin Size: 415mm x 415mm (nominal).

Bowl capacity: 3 litres to overflow.

The **Carboni II** inset vanity basin offers a contemporary square style with distinctive clean lines. This range adds timeless sophistication in any bathroom. The basin is suitable for general purpose, domestic and commercial applications.

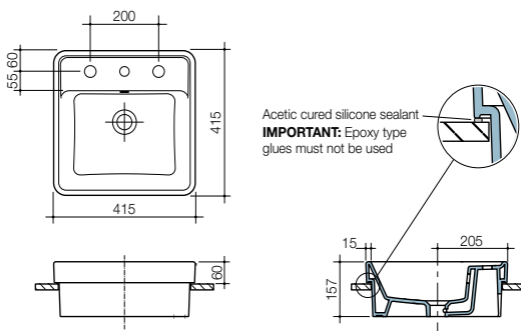
Tap Holes: Basin available in one taphole and three taphole options.

Overflow: Overflow available only. Designed for maximum tap flow rate of 15 litres/minute.

Fixing: An acetic cured silicone sealant is used to secure the basin to the counter top. **Epoxy type glues must not be used.** Basin supplied with a template which must be used for the counter top cut-out.

Installation: Refer to *Important Information for Plumbers* section.

Colours: White only.



Supplied with chrome flush fitting waste and white plug.