

Liano Nexus Inset Vanity Basin

Ceramic Vanity Basin

Basin Size: 450mm x 400mm (nominal).

Bowl capacity: 5.5 litres to overflow.

The **Liano Nexus** inset vanity basin is part of an extensive range of co-ordinated basins that allows continuity of design throughout the project where basins of matching design for different applications are required. This basin is suitable for domestic and commercial applications.

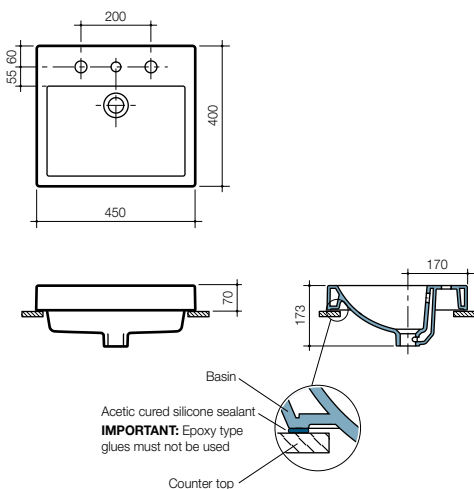
Tap Holes: The basin is available in no taphole, one taphole (centre) options.

Overflow: Overflow available only. Designed for maximum tap flow rate of 15 litres/minute.

Fixing: The underside of the basin rim must be sealed to the counter top with an acetic cured silicone sealant. **Epoxy type glues must not be used.** The basin is supplied with a template which must be used for the counter top cut-out.

Installation: Refer to *Important Information for Plumbers* section.

Colours: White only.



Supplied with chrome flush fitting waste and white plug.