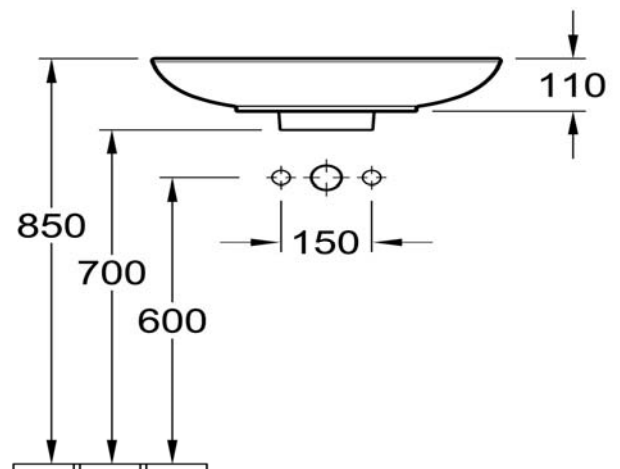
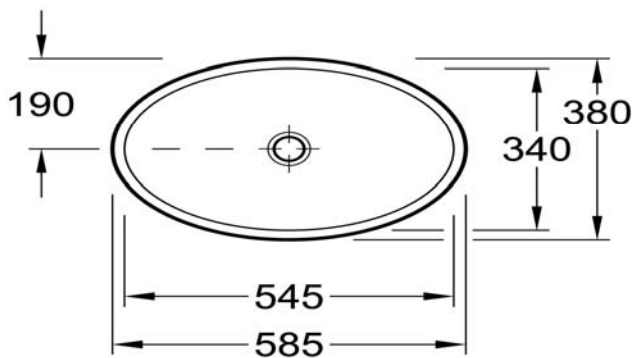


# Loop Vessel Basin Oval Low Profile



## TECHNICAL SPECIFICATIONS



Basins Supplied with Ceramic  
Non Closeable Waste.  
Optional Closeable Waste  
Recommended – 943240F

PRODUCT NO: **51510001** - Loop Vessel Basin Oval Low Profile  
Note Basin Supplied: No taphole with overflow & ceramic waste fitting