

# Kyra / SBC-017

Ceramic above counter basin / inset

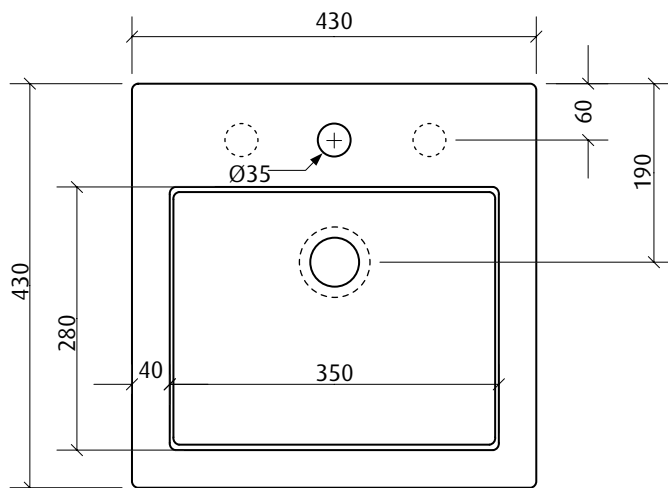


## Square low profile inset basin

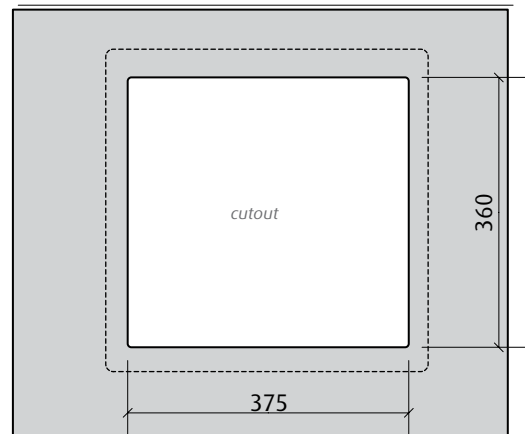
This inset basin has distinctive square styling and generous capacity in a compact space. The basin sits low on the benchtop with most of the basin sitting below. The wide rim enables this inset basin to be used with a variety of benchtop materials.

<i>order code/s</i>	SBC-017	1 taphole
	SBC-017-0T	no taphole
	SBC-017-3T	3 taphole
<i>waste outlet</i>	Suits standard 32 mm waste with overflow (not supplied)	
<i>bowl capacity</i>	7 litres	
<i>overflow</i>	Standard with overflow	
<i>material, colour</i>	White vitreous china, gloss finish	
<i>fixing</i>	Use acetic cured silicone sealant. <b>Do not use epoxy type adhesives.</b>	
	Always use the actual basin to verify cutout.	
<i>cleaning</i>	Clean with a damp cloth. Do not use abrasive cleaners, liquids or pastes.	
<i>dimensions</i>	All dimensions are nominal and subject to normal ceramic manufacturing variations of $\pm 5$ mm. Specifications may vary without notice as part of our continuous improvement practices.	

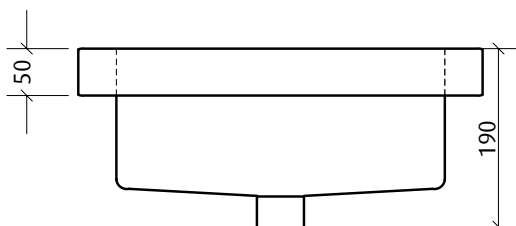
top view



bench cutout



front cross-section view



side cross-section view

