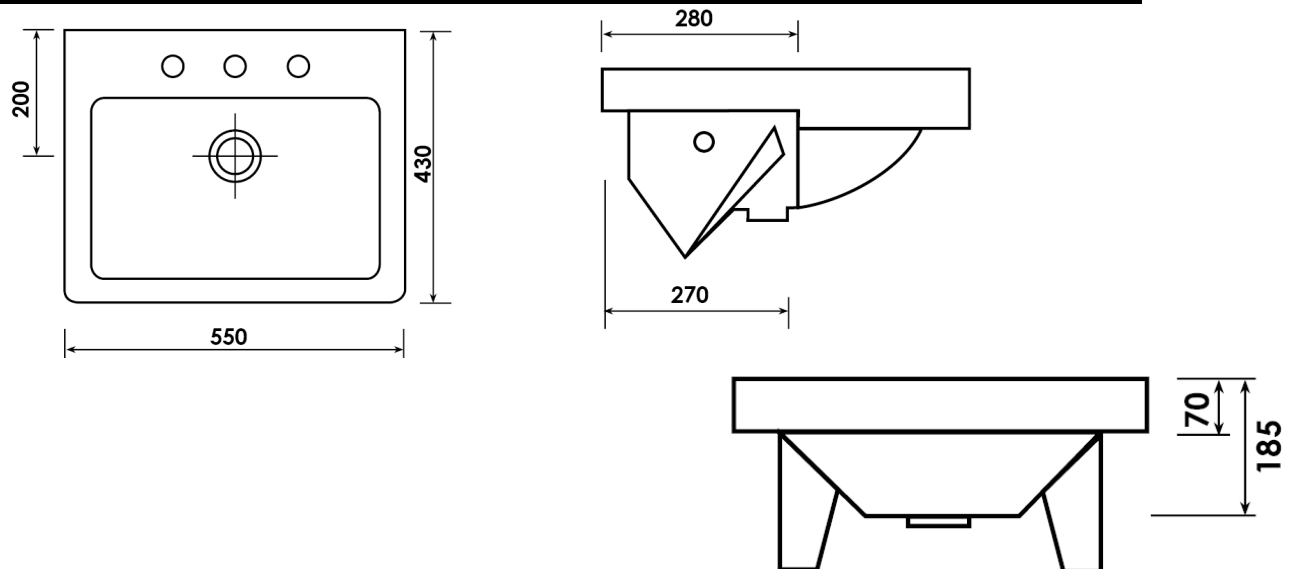


## Zen Semi-Recessed Basin



### TECHNICAL SPECIFICATIONS



- Flexible sealant only should be used between the basin rim and bench-top. Epoxy glues must not be used
- Waste fittings should not be over-tightened

PRODUCT NO: **FC11TUL01**, Zen Semi-Recessed Basin – 1 Tap Hole

PRODUCT NO: **FC11TUL07**, Zen Semi-Recessed Basin – 3 Tap Hole

PRODUCT NO: **FC11TUL01SDR**, Zen Semi-Recessed Basin – 1 Tap Hole. Soap dispenser Right Hand Side

PRODUCT NO: **FC11TUL01SDL**, Zen Semi-Recessed Basin – 1 Tap Hole. Soap dispenser Left Hand Side

Requires 32mm overflow waste – recommended code: 94238

Note: Basin fits Argent Furniture Range “Zeta”