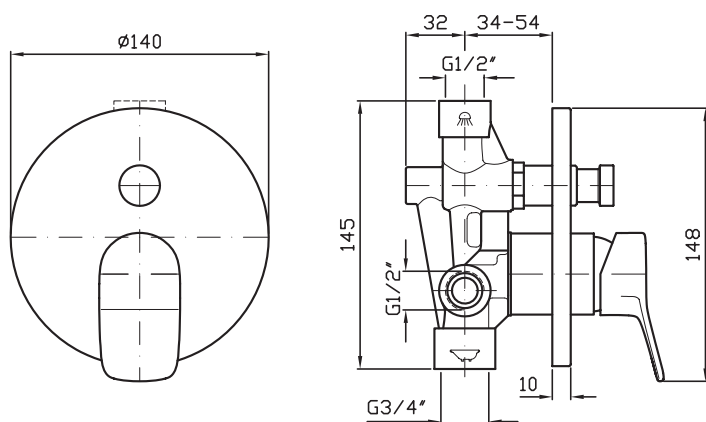
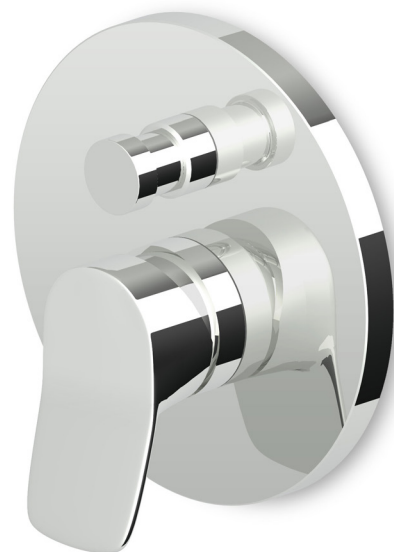


## Brim Bath/Shower Mixer with Diverter

ZBR127 + R99684

**Finishes available:** Chrome, Matte Black and Brushed Nickel



Reassuring and essential, the brand new Brim collection designed by Ludovica + Roberto Palomba stands out for its compact design that uses a single lexicon to elaborate two different shapes: the circle and the square. Carefully designed & cross-cutting, Brim is a high quality product that summarises all the design and production capacity of the Zucchetti brand.

**AWARDS:** Winner of the Red Dot Award - Product Design 2019

**WARRANTY**  
15 years

\*Conditions apply.

streamline

Dimensions are in millimeters and are subject to manufacturing variations. Streamline reserves the right to vary specifications at any time without notice. Information provided within this specification sheet is correct at the date of printing. Please confirm all particulars with your sales consultant prior to purchase.  
Version: 1.0 - June 2019