

chios SBC-201

ceramic abovement basin inset

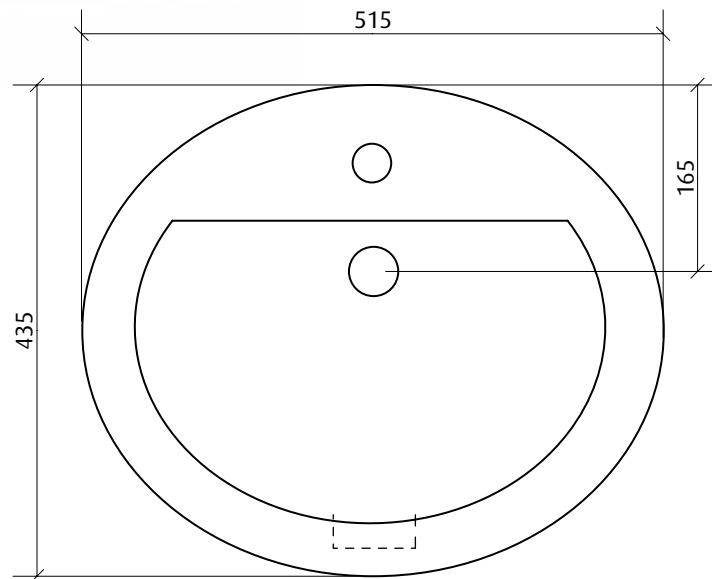
515 x 435 x 12 mm



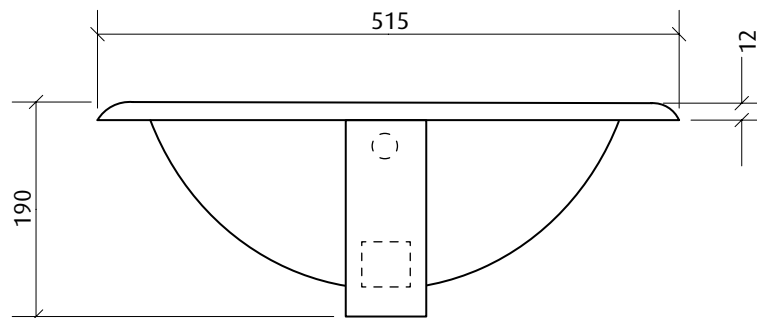
Classic oval inset basin

product code	<ul style="list-style-type: none"> ■ SBC-012 1 taphole ■ SBC-012-3T 3 taphole
waste outlet	Suits standard 32 mm waste with overflow (not supplied)
bowl capacity	5 litres
overflow	Standard with overflow
fixing	Use acetic cured silicone sealant. Do not use epoxy type adhesives.
cleaning	Always use the actual basin to verify cut-out. Clean with a damp cloth. Do not use abrasive cleaners, liquids or pastes.
dimensions	All dimensions are nominal and subject to normal ceramic manufacturing variations of ± 5 mm. Specifications may vary without notice as part of our continuous improvement practices.

top view



front cross-section view



Important!

- Use acetic cured silicone sealant. **Do not use epoxy type adhesives.**
- Always use the actual basin to verify cut-out.